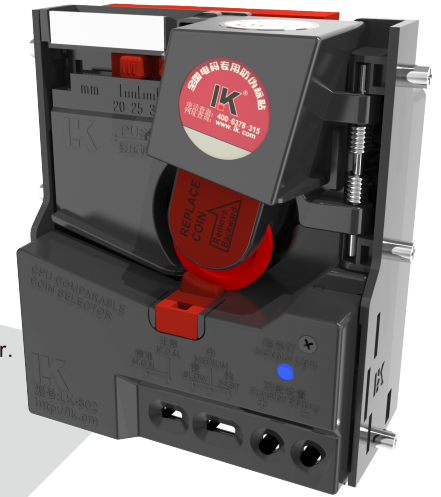


LK-802Std manual v2.01

Product Features

- 1.Suitable for metal tokens;
- 2.CPU control for accurate count. Characteristics: precise, quick;
- 3.Full-new structure design can solve the problem of stuck coin completely;
- 4.Recognize different sized coin . With indicator light;
- 5.Selectable output pulse width and accuracy;
- 6.Anti-cheating and anti-fishing methods effectively;
- 7.Circuit board adopts SMT technology with anti-fishing function;
- 8.More function setting options to meet the various requirement of customers. (Such as: setting the coin/ score proportion, higher resolution mode, etc.)



Step for Usage

- 1.Adjust the sliding gear(with slightly press)to prevent misinjection of tokens with excessive diameter.
- 2.Take out the plastic coin from the slot, put your coin in;
- 3.According to your coin,select the sensitivity.If you require a high accuracy,adjust it to "precision".If some true coins were misjudged as false coins, adjust it to "normal";
- 4.According to machine's motherboard,select the output pulse switch (25ms/50ms/100ms,usually use 50ms) ;
- 5.Install coin acceptor.it can be used after connecting power and signal wires.

A Coin Return Bar:
Press the bar when the stuck situation happened

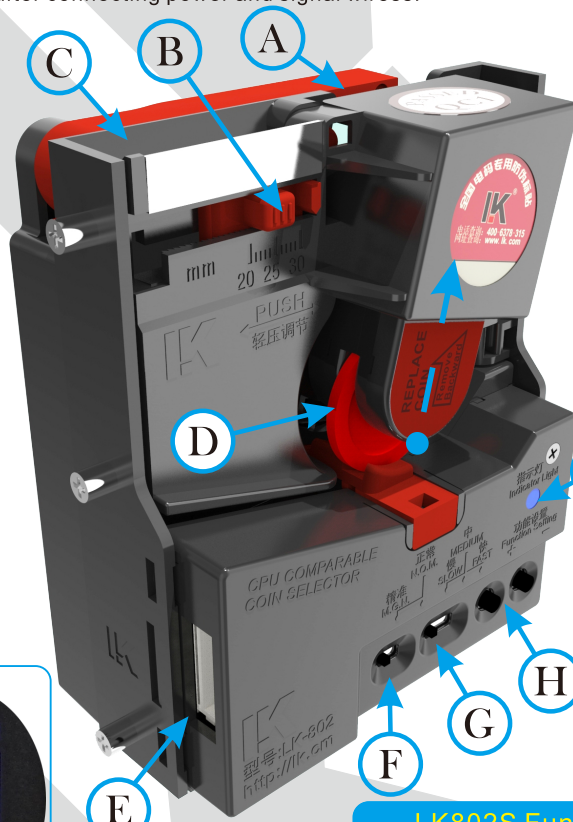
B Step 1: Move the red slip gear with slightly press . small diameter for left side, large diameter for right size. After moving to proper point, release hand the diameter will be aimed. (the scale is 21~32mm)

C Coin Slot:
the token diameter is 20~29mm.

D Step 2:
Change the red reference coin into token.

E Plug Instruction

- NC output(white wire)
- NO output(green wire)
- coin counter(yellow wire)
- coin counter(gray wire)
- power wire 12V(red wire)
- GND(black wire)



F Step3: sensitivity switch
select precise / normal
default normal

G Step 4 set pulse
slow: 100ms
medium: 50ms
fast:25ms
default 50ms

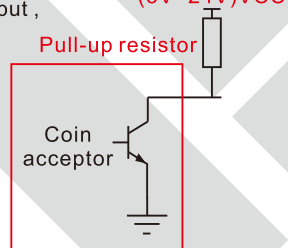
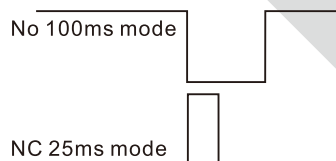
H Function Setting Button:
read operating instruction chart(H)
Please reconnect the power if make mistake during the setting process

I Indicator Light :

- Red light : Without reference token;
- Blue light : With reference token;
- Purple light for once time : Drop true coin;
- Without reference coin or working abnormal in red light.

Communication circuit

Coin detected "real coin", when the circuit gives a plus signal (the plus signal can be selected by the switch SW1, normally closed or normally open output;SW2 switch to select plus width) The circuit output of this product is a triode collector or MOS tube drain open output , add your own pull-up resistor, such as the right picture.



LK802S Function setting operation guidness(H)

Function setting	Clip coin	Edit enter key sequence	Operative Description	
Set the coin credit ratio (max 1:20)	Yes	- + + - -	Enter and insert coin, such as insert 5 pieces coin, on exit the recording is 1 coin 5 credits, press on any key for 3 seconds or without any operation will auto-drop out in one minute and we keep current setting	Set manually after Entering
Gears in higher resolution mode are set to precision	Yes	- + - + -	First inserting 10 true coins, then inserting 10 counterfeit coin (true coin and counterfeit coin separate to insert). Finish setting or without any operation will auto-drop out	
Gears in high resolution mode are set to precision	Yes	+ + - + -	More accurate coin recognition (Can be only operated once)	Auto-drop out
Coin acceptor Initializer	No	- + + - -	All parameters are restored to factory settings	

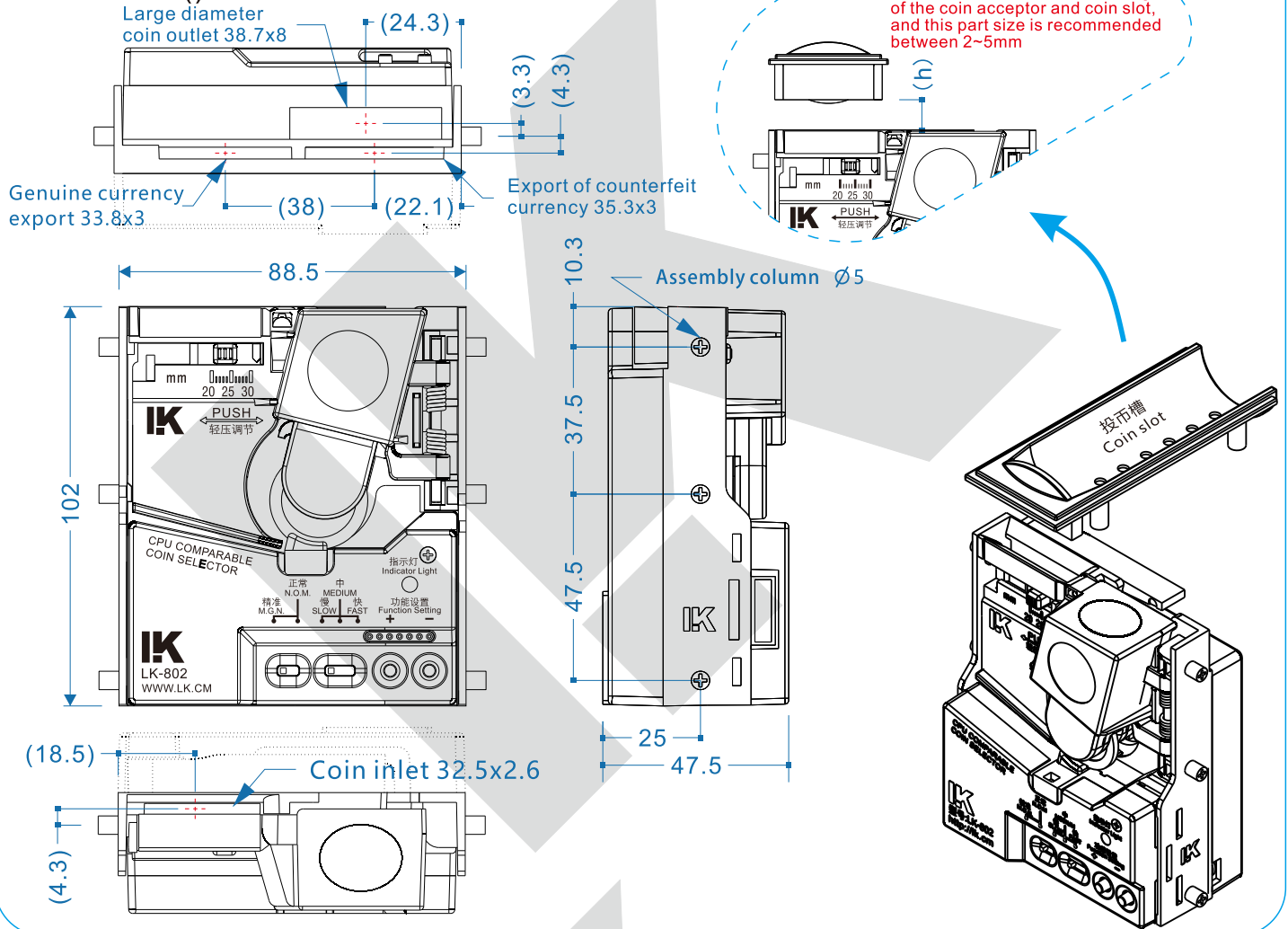
Error during setup, please plug in again

Remark 1: For example, coin-score set in 1:100, the time for showing score under slow/regular/quick is 20/10/5 seconds. Due to the Score will show up slow will easy make user confusing, LK team recommend the coin-score setting should not beyond 1:20.
Remark 2,3: Under the high recognize mode, if material of the token have big difference with the reference coin will cause poor operation. Therefore, the small difference material token or using default setting is recommended.



Product Size Unit: mm

Note: Band () is the relative size of the coin slot



常见异常现象处理

- A. Coin not passed
1. If there is poor contact in the coin power outlet;
 2. If the wiring is correct;
 3. If there is a foreign body in the coin track;
 4. If power supply 12V is normal;
 5. If the out mouth of coin is smooth;
 6. If prototype is fit correctly;
 7. If mounting depth is enough;
 8. If there is a foreign body in the coin track, such as electric eye position is blocked.
- B. Coin not score
1. If SW1 NO/NC is set matched;
 2. If SW2 plus width is matched;
 3. If the signal is connected well, if connection method is correct;
 4. Coin signal and open collector output, if the target board is connected with pull-up resistor.
- C. Coin not smooth
1. Adjust precise switch, precision stall: more stringent selection, commonly normal stall;
 2. If prototype is fit correctly;
 3. If coin slot is smooth, such as hopper tank depositing port and slot machine outlet slot are aligned;
 4. Adjust VR knob, clockwise screening more relaxed, counterclockwise more strict.
- D. Accept false coin
1. Adjust precise switch to precision stall;
 2. Counterclockwise adjust VR knob (counterclockwise more strict)
- E. Code mode doesn't move
1. If the wiring is correct (An end of the code table is connected with code table line, the other end of DC+12V);
 2. If the code mode is bad;
 3. Cable resistance is too large, resulting in power is below standard;
 4. The power supply voltage and rated voltage code table required are the consistent.

Performance parameter

Operating Voltage	DC12V±10%
Stand-by Current	60mA
Working Current	≤800mA
Suggested Input	12V --- 1.5A
Operating Temperature	-15°C~65°C
Output Mode	OC.
Signal Pulse	25ms/50ms/100ms
Coin Diameter	20~29mm
Coin Thickness	1.2~2.3mm
Packing Quantity	60PCS/SET
Package Dimensions	432*300*382mm
Single Gross Weight	0.3KG
FCL Gross Weight	18KG

If product technology improved, it will be edited in the new manual without notice. The ultimate interpretation of this manual is up to Guangzhou Likang Electronic Technology Co., Ltd.