

# LiKang Front inserting coin acceptor

## LK730 manual V2.21

### Product Features

1. Suitable for various of metal coins;
2. CPU process control, score accurately;
3. Special precise/normal stall, coin smoother;
4. Powerful prevent phishing and other means of cheating, with cheating alarm;
5. Circuit parts made by SMT technology, quality and stability;
6. With indicator light (Light on the mask of coin slot will be luminous);
7. Open cover design, completely solve the coins jamming and blocking;
8. The working state of coin acceptor can be controlled.  
(Reject coins, can be selected according to clients' requirement).

### Steps for usage

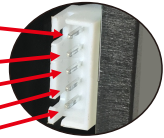
1. Take out the plastic coin from the slot, put your coin in;
2. According to your coin, select the sensitivity. If you require a high accuracy, adjust it to "precision". If some true coins were misjudged as false coins, adjust it to "normal";
3. According to machine's motherboard, select the output pulse switch (25ms/50ms/100ms, usually use 25ms);
4. According to machine's motherboard, select the output mode NC (normally close)/NO (normally open). Usually use NC stall;
5. Install coin acceptor, it can be used after connecting power and signal wires.

Step ①: Pull up, remove the red example coin, then put your reference coin.

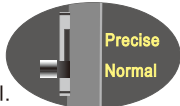
Adjust the sensitivity slightly, the factory has adjusted to a reasonable position.



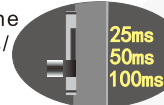
Code table (gray)  
Power 12V (red)  
Signal output (white)  
Power ground (black)  
Code table (gray)  
Reject coin signal (yellow)  
Wire of rejecting coins (This function can be selected according to clients' requirement):  
Enable function / reject coin.



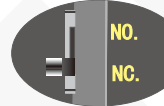
Step ②: Set SW1, sensitivity switch, select precise/ normal, the factory setting is normal.



Step ③: Set SW2, select the output pulse switch (25ms/50ms/100ms), the factory setting is 25ms.



Step ④: Set SW3 output mode, select NC/NO, the factory setting is NC.



Mounting holes: With a square neck screw diameter of 4mm

Coin slot: Please use the coins  $\phi 20\text{mm} \sim \phi 29\text{mm}$ , the thickness of the coins is 1.2mm ~ 2.4mm.

Indicator light: (Circular shape)  
★ No sample coin: Red in gradual change;  
★ With sample coin: Blue  $\leftrightarrow$  Purple  $\leftrightarrow$  Red cyclic gradient;  
★ Insert true coin: Blue flashes several times  
★ Insert false coin: Red and blue flash alternatively several times;  
★ Coin acceptor will stop working when it shows red in gradual change (or red and blue alternating flash quickly)

Coin bar: When a larger diameter coin or a foreign body stuck, flip the level to exit the foreign coin.

Coin mouth: False coin/foreign body from here to exit.

### Communication circuit

Coin detected "real coin", when the circuit gives a pulse signal (the pulse signal can be selected by the switch SW1, normally closed or normally open output; SW2 switch to select pulse width, see Figure 1)

The circuit output of this product is a triode collector or MOS tube drain open output, When it is used, users are advised to use optocouplers to receive signals when designing the interface circuit (see Figure 2).

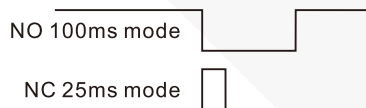


Figure 1

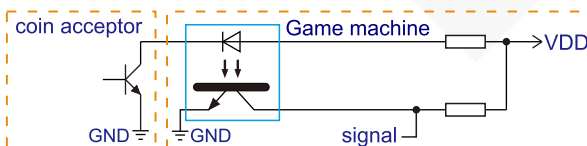
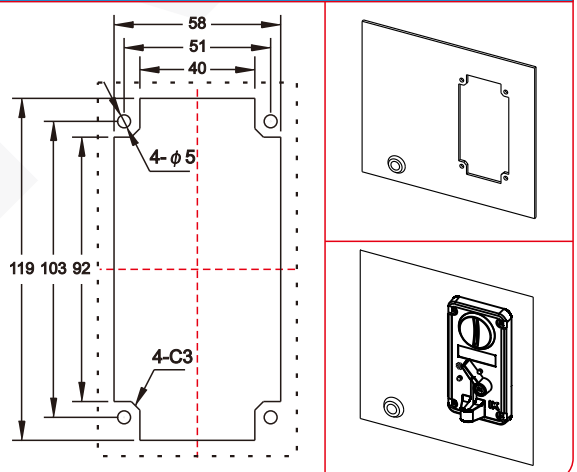


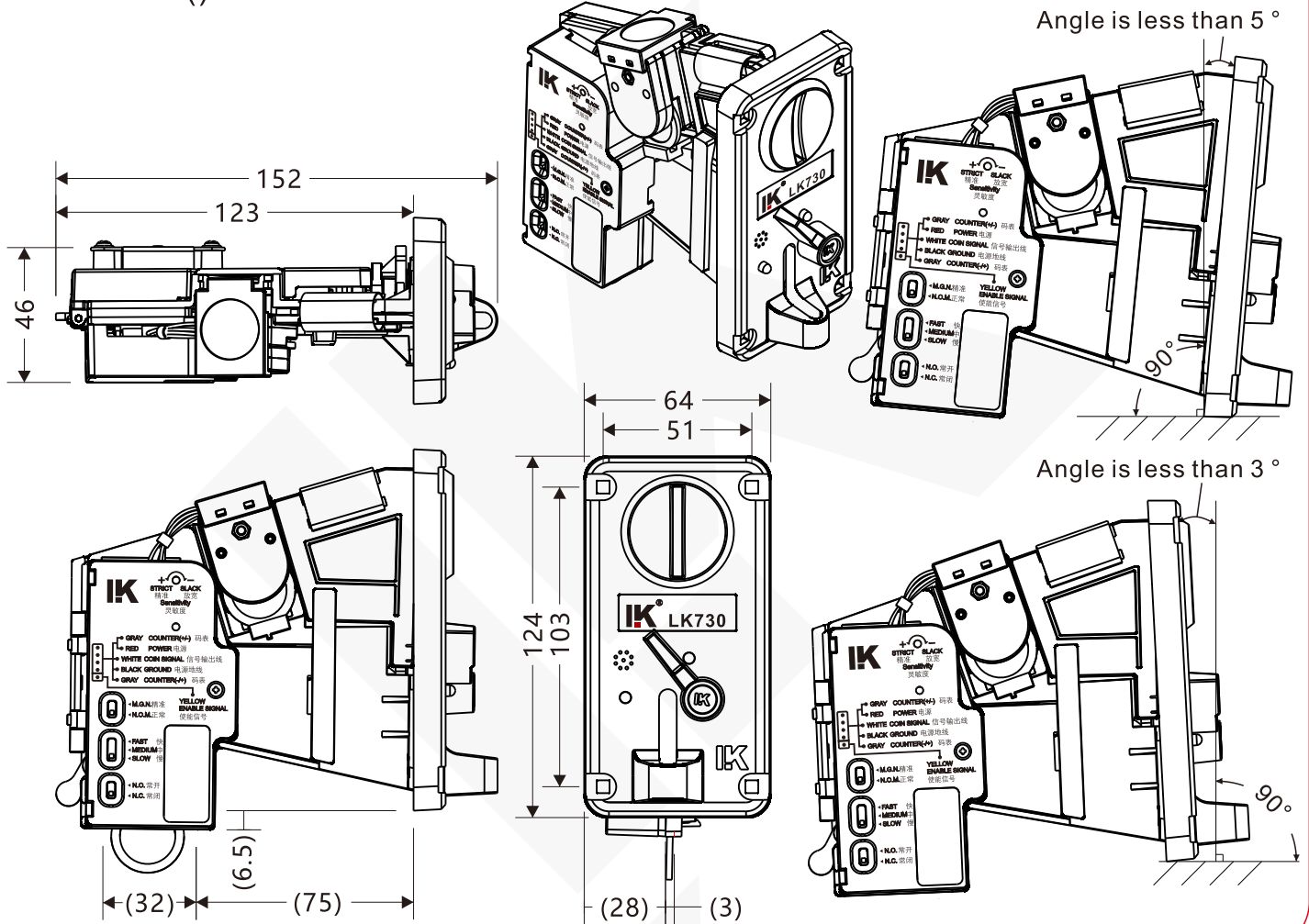
Figure 2

### The size diagram and effect diagram Unit:mm



## Product Size Unit: mm

Note: Band ( ) is the relative size of the coin slot



### Common abnormalities handling

#### A. Coin not passed

1. If there is poor contact in the coin power outlet;
2. If the wiring is correct;
3. If there is a foreign body in the coin track;
4. If power supply 12V is normal;
5. If the out mouth of coin is smooth;
6. If prototype is fit correctly;
7. If mounting depth is enough;
8. If there is a foreign body in the coin track, such as electric eye position is blocked.

#### B. Coin not score

1. If SW1 NO/NC is set matched;
2. If SW2 plus width is matched;
3. If the signal is connected well, if connection method is correct;
4. Coin signal and open collector output, if the target board is connected with pull-up resistor.

#### C. Coin not smooth

1. Adjust precise switch, precision stall: more stringent selection, commonly normal stall;
2. If prototype is fit correctly;
3. If coin slot is smooth, such as hopper tank depositing port and slot machine outlet slot are aligned;
4. Adjust VR knob, clockwise screening more relaxed, counterclockwise more strict.

#### D. Accept false coin

1. Adjust precise switch to precision stall;
2. Counterclockwise adjust VR knob (counterclockwise more strict)

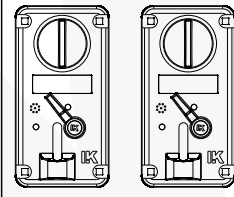
#### E. Code mode doesn't move

1. If the wiring is correct (An end of the code table is connected with code table line, the other end of DC+12V);
2. If the code mode is bad;
3. Cable resistance is too large, resulting in power is below standard;
4. The power supply voltage and rated voltage code table required are the consistent.

### Assemble requirements

To prevent interference from adjacent signals, the adjacent mounting distance should be greater than 15mm.

≥ 15mm



### Basic parameters

Operating voltage	DC12V ±10%
Operating current (Maximum current)	<650mA
Standby current	<50mA
Operating temperature	-15°C ~ +75°C
Output mode	OC.
Output signal	25ms/50ms/100ms
Coin diameter	20mm ~ 29mm
Coin thickness	1.2mm ~ 2.4mm
Package	30PCS/SET
Package Size	51*37*28cm
Angle assembly	-3~5°

### Product weight Unit: KG

Product mode	LK-730
Single weight	0.38
Whole GW	12.5

If product technology improved, it will be edited in the new manual without notice. The ultimate interpretation of this manual is up to Guangzhou Likang Electronic Technology Co., Ltd.

**IK** Likang Electronic Technology Co., Ltd.  
www.ikchina.asia