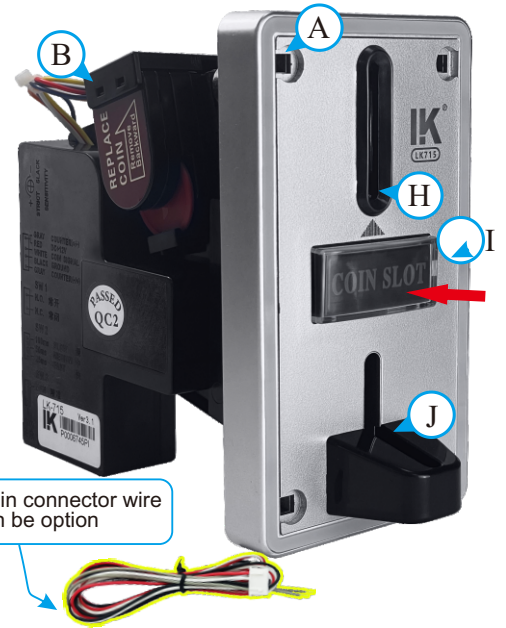


Product Features

1. Suitable for various of metal coins;
2. Two working modes: coin mode or display mode;
3. CPU process control, score accurately;
4. Special precise/normal stall, coin smoother;
5. Powerful prevent phishing and other means of cheating, with cheating alarm;
6. Excellent technology in circuit part, stable and reliable quality;
7. Double color light show receive coin, intuitively distinguish true or false coin;
8. Open cover design, completely solve the coins jamming and blocking.

Steps for usage

1. Take out the plastic coin from the slot, put your coin in;
2. According to machine's motherboard, select the output mode NC(normally close)/NO(normally open). Usually use NC stall
3. According to machine's motherboard, select the output pulse switch (25ms/50ms/100ms, usually use 25ms) ; ;
4. According to your coin, select the sensitivity. If you require a high accuracy, adjust it to "precision". If some true coins were misjudged as false coins, adjust it to "normal";
5. Install coin acceptor, it can be used after connecting power and signal wires.



B Step ①: Pull up, remove the red example coin, then put your reference coin.

C Adjust the sensitivity slightly, the factory has adjusted to a reasonable position.

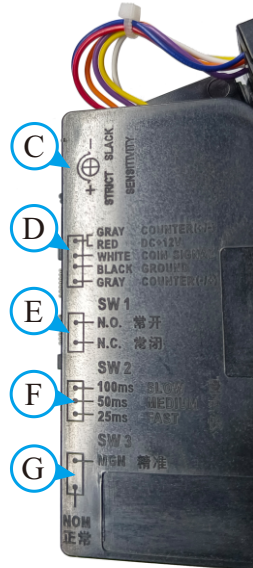
D Code table(gray)
Power 12V(red)
Signal output(white)
Power Ground(black)
Code table(gray)

E Step ②: Set SW1 output mode, select NC/NO, the factory setting is NC.

F Step ③: Set SW2, select the output pulse switch (25 ms/50ms/100 ms), the factory setting is 25ms.

G Step ④: Set SW3, sensitivity switch, select precise/ normal, the factory setting is Normal.

A Mounting holes: With a square neck screw diameter of 4mm

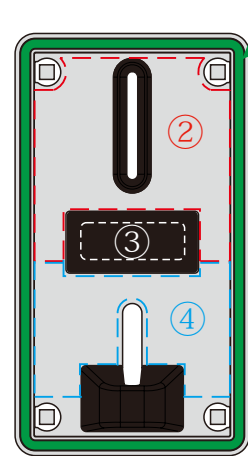


H Coin slot: Please use the coins $\phi 20\text{mm} \sim \phi 29\text{mm}$, the thickness of the coins is $1.2\text{mm} \sim 2.8\text{mm}$.

I Coin Return Button: When a larger coin or foreign object gets stuck, pressing this button will eject the object.

J Coin mouth: False coin/foreign body from here to exit.

Pattern Customization Area Instructions



- ①: Green area – Outer ring, color can be set independently.
- ②: Red dashed area – Upper panel, pattern and color can be customized.
- ③: White dashed area – Button section, pattern and color can be customized.
- ④: Blue dashed area – Lower panel, pattern and color can be customized.

Communication circuit

Coin detected "real coin", when the circuit gives a pulse signal (the pulse signal can be selected by the switch SW1, normally closed or normally open output; SW2 switch to select pulse width, see Figure 1)

The circuit output of this product is a triode collector or MOS tube drain open output, When it is used, users are advised to use optocouplers to receive signals when designing the interface circuit (see Figure 2).

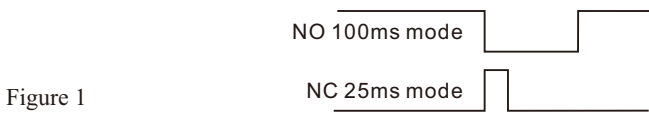


Figure 1

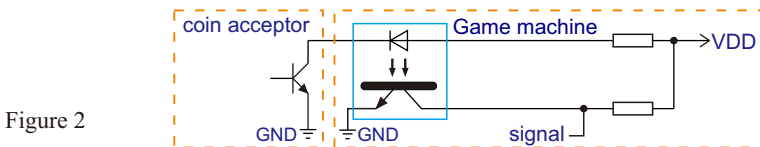
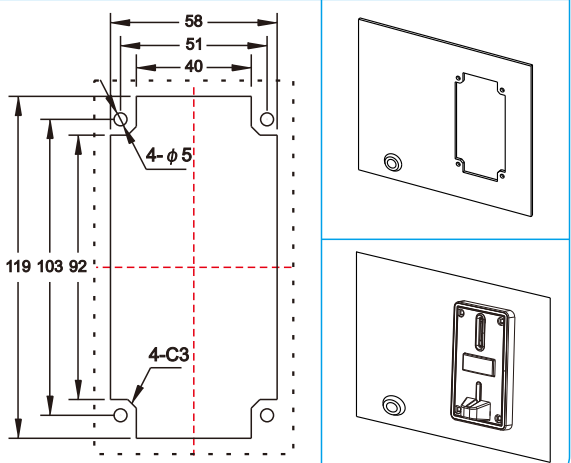
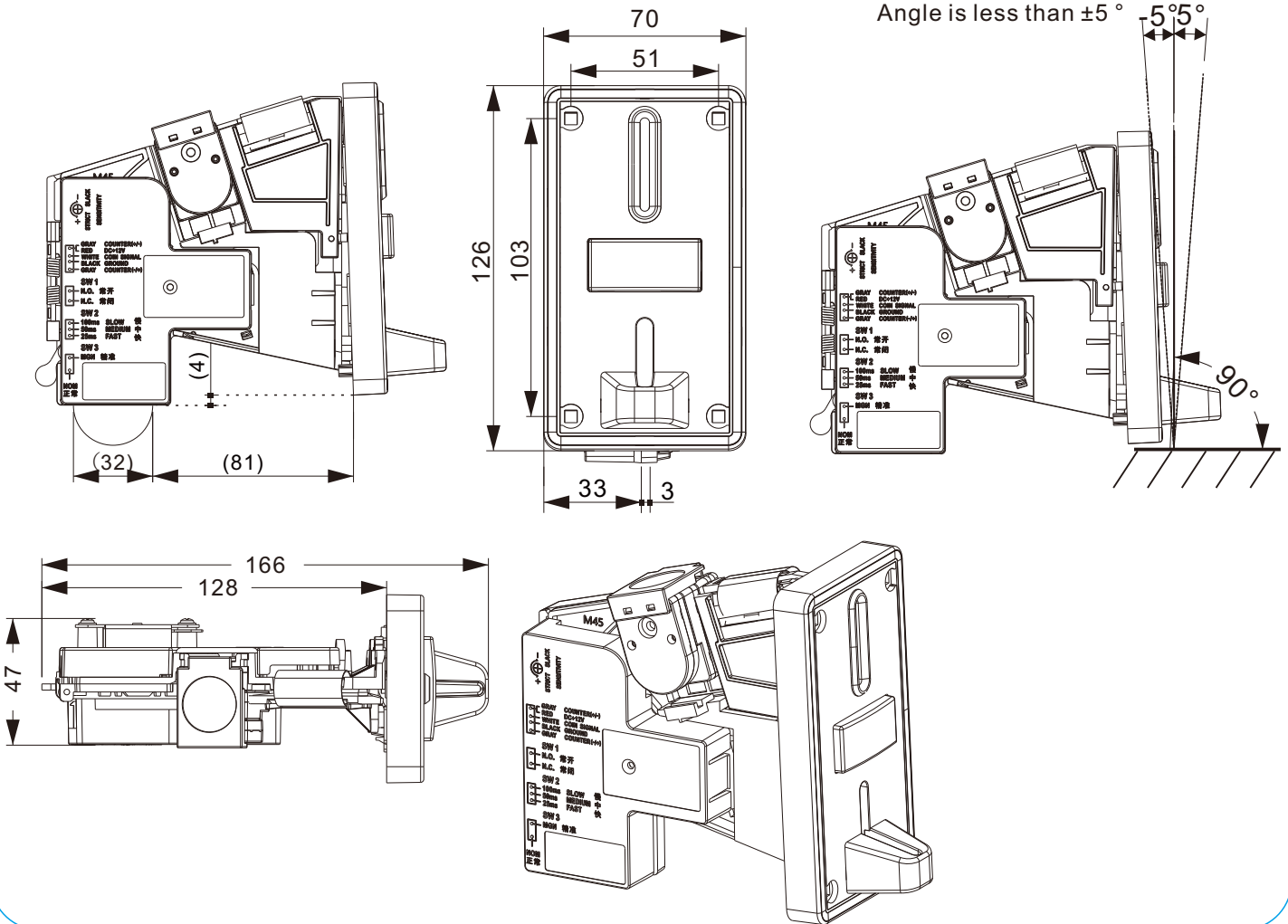


Figure 2

The size diagram and effect diagram Unit:mm



Note: Band () is the relative size of the coin slot



Common abnormalities handling

A. Coin not passed

- 1.If there is poor contact in the coin power outlet;
- 2.If the wiring is correct;
- 3.If there is a foreign body in the coin track;
- 4.If power supply 12V is normal;
- 5.If the out mouth of coin is smooth;
- 6.If prototype is fit correctly;
- 7.If mounting depth is enough;
- 8.If there is a foreign body in the coin track, such as electric eye position is blocked.

B. Coin not score

- 1.If SW1 NO/NC is set matched;
- 2.If SW2 plus width is matched;
- 3.If the signal is connected well,if connection method is correct;
- 4.Coin signal and open collector output,if the target board is connected with pull-up resistor.

C. Coin not smooth

- 1.Adjust precise switch, precision stall:more stringent selection, commonly normal stall;
- 2.If prototype is fit correctly;
- 3.If coin slot is smooth,such as hopper tank depositing port and slot machine outlet slot are aligned;
- 4.Adjust VR knob,clockwise screening more relaxed, counterclockwise more strict.

D. Accept false coin

- 1.Adjust precise switch to precision stall;
- 2.Counterclockwise adjust VR knob(counterclockwise more strict)

E. Code mode doesn't move

- 1.If the wiring is correct(An end of the code table is connected with code table line , the other end of DC+12V);
- 2.If the code mode is bad;
- 3.Cable resistance is too large, resulting in power is below standard;
- 4.The power supply voltage and rated voltage code table required are the consistent.

Basic parameters

Operating voltage	DC12V±10%		
Standby currencty	< 500mA		
Operating currencty (Maximum current)	< 1300mA		
Operating temperature	-15°C~65°C		
Output mode	OC.		
Output signal	25ms/50ms/100ms		
Coin diameter	20~29mm		
Coin thickness	1.2~2.8mm		
Angle assembly	-5°~5°		
Individual packaging	Meas	171*75*133mm	
	Gross weight	Without wire	365g
		With wire	380g
Carton packaging	Package	30PCS/SET	
	Meas	53.5*39.5*28.3cm	
	Gross weight	Without wire	11.75KG
		With wire	12.20KG

Assemble requirements

To prevent interference from adjacent signals, the adjacent mounting distance should be greater than 15mm.

