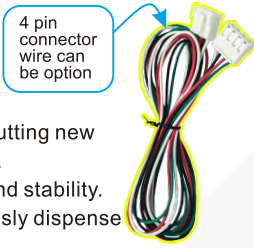


LK003ACF+ Manual

Product Features

1. CPU process control, count scores accurately.
2. Prevent pulling out tickets.
3. Prevent motor idling.
4. Easier to clean up the blocked tickets.
5. Mantissa memory (When the tickets run out, after putting new tickets the device will restart to work automatically).
6. The wire part is made by SMT technology, quality and stability.
7. Adopt high quality and high-speed motor, continuously dispense tickets without pause.



Instructions for use

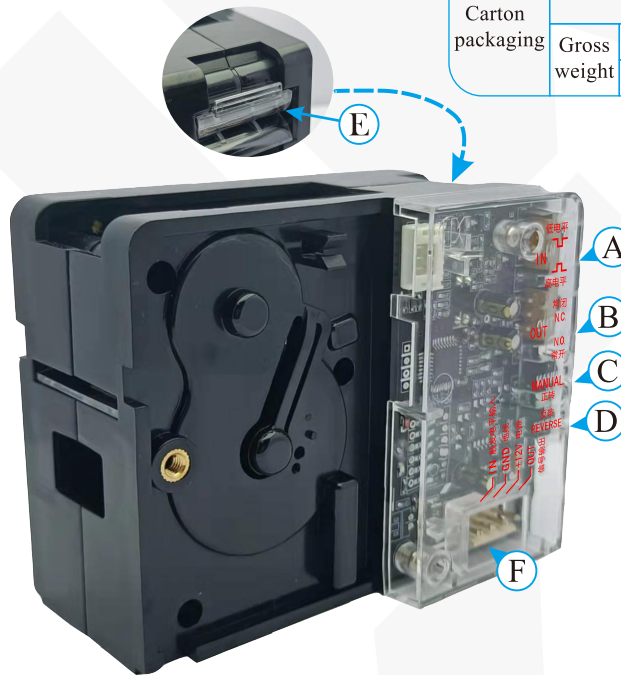
1. According to the need of machine's motherboard, switch the output to NC or NO, switch the input to High level or Low level.
2. Put the tickets into the guide slot, the ticket dispenser will start to install tickets automatically. (or hold down the "manual" key to install the tickets manually).
3. The ticket dispenser can be used after connecting the power and signal wires.

A Input level:
 □ Low level input trigger
 ▭ High level input trigger

B Output mode
 NC. Normally closed
 NO. Normally open

C manual:
 For installing tickets manually and testing

D Reverse:
 For cleaning up the blocked tickets and testing



E Ticket guide:
 when jammed, gently press down on the Ticket guide and pull it outwards.

F Power & Communication

Performance parameter			
Operating voltage	DC 12V ± 10%		
Operating current	< 50mA		
load current	≤ 1.2A		
Output mode	OC		
Output Signal	30ms, < 650mA		
Low level input trigger	High level requirement: > 4.5V		
	Low level requirement: < 3V		
High level input trigger	High level requirement: > 1.5V		
	Low level requirement: < 0.5V		
Speed of tickets	300mm/s		
Individual packaging	Meas	120*68*98mm	
	Gross weight	Without wire	289g
		With wire	308g
Carton packaging	Package	20PCS/SET	
	Meas	350*250*215mm	
	Gross weight	Without wire	6.2KG
With wire		6.6KG	

Communication circuit

Description of interface circuit and communication relationship of ticket outlet:

1. The output signal circuit of the ticket outlet is triode collector or MOS drain open circuit output mode. When it is used, users are advised to use optocouplers to receive signals when designing the interface circuit (see Figure 1).
2. Game machine is Master device, ticket outlet is Slave device.
3. The relationship of the Master inputting control signal, the Slave outputting signal, and motor status is shown in Figure 3. The workflow is shown in Figure 2.

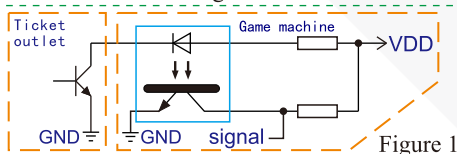


Figure 1

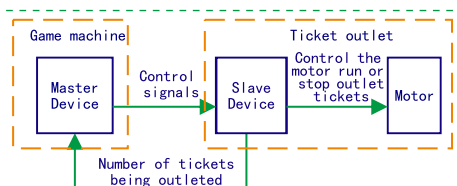


Figure 2

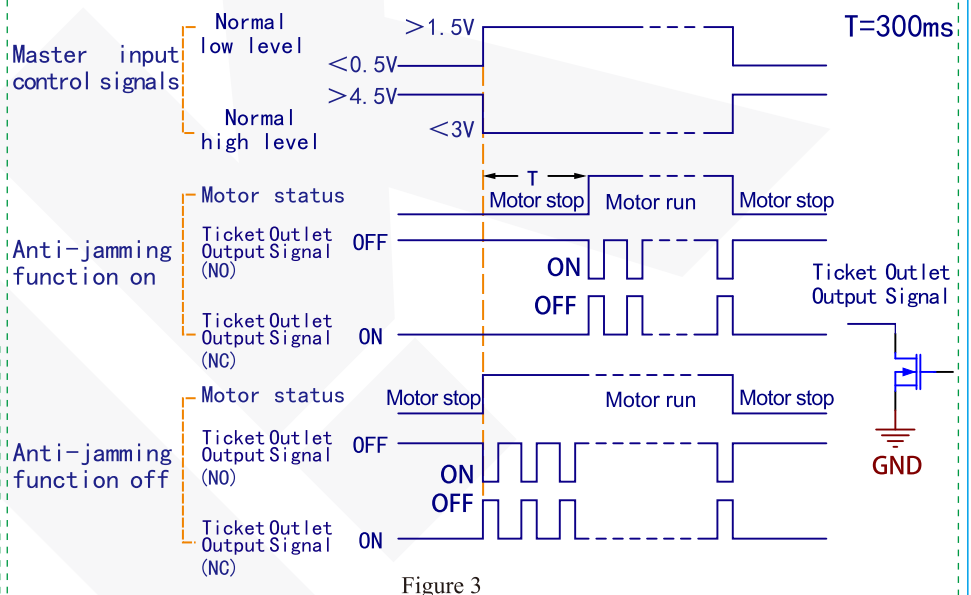
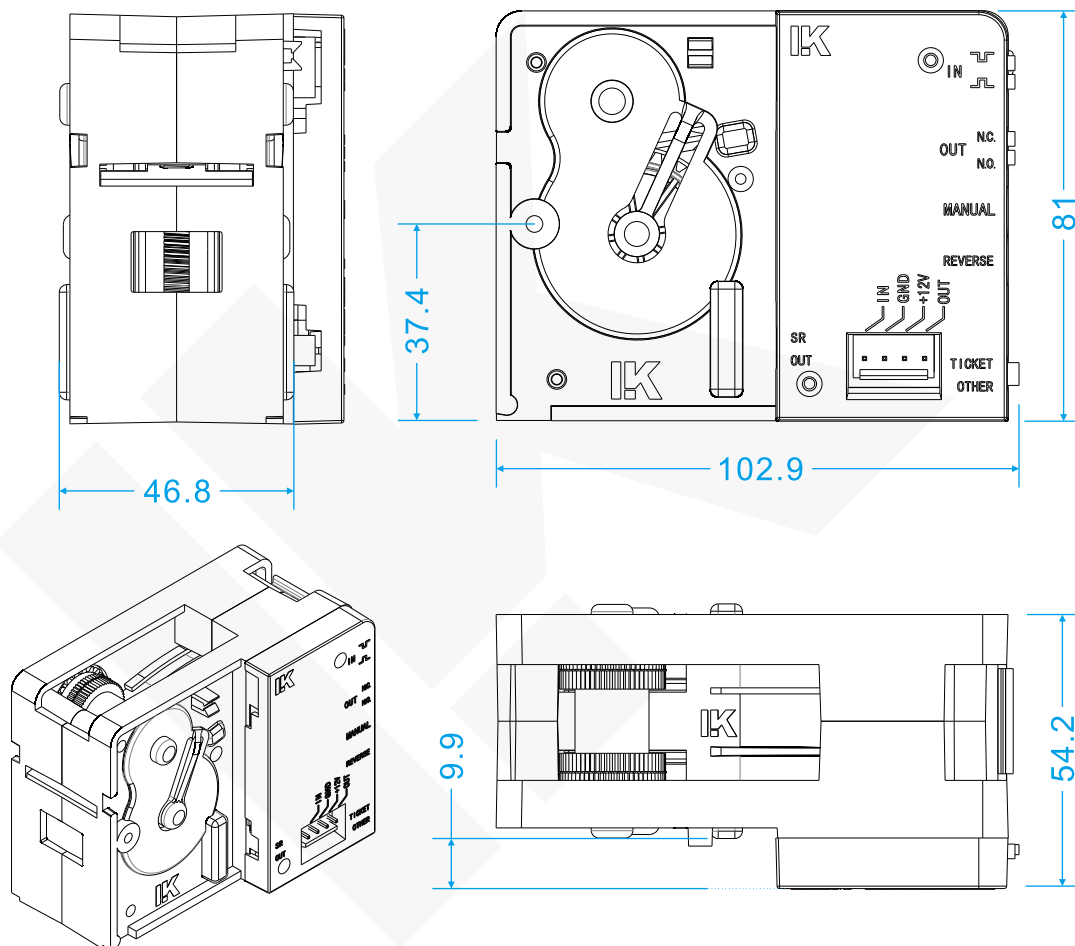


Figure 3

Assembly dimensions Unit: mm



Symptom	Common Exception Handling
The tickets are blocked	Pull out the upper guided board from the ticket machine's back, and clear away the jammings.
NO ticket	<ol style="list-style-type: none"> 1. Check the machine power outlet connect or not, poorly connect or not. 2. Check input level is correct or not. 3. Check whether something is blocked in the ticket channel. 4. Check whether the guide plate is dropped. 5. To the check the plug of motor loose or not. 6. If the panel indicator is flashing, please reload the ticket
Tickets out not matching to the score-ticket ratio	<ol style="list-style-type: none"> 1. Check that the ratio switch is set correctly. 2. Ground connection (Means "GND") between the machine and the ticket outlet Resistance is not 0Ω.
Remain ticket will be automatically outlet after loading	<ol style="list-style-type: none"> 1. Check whether the input level switch is set correctly. 2. If the previous outlet is not completed, the remaining tickets will be automatically finish first after reloading ticket.
Fail to install ticket	<ol style="list-style-type: none"> 1. Check for foreign objects blocking the holes of tickets or not. 2. Check whether the circuit voltage is too low or electric eye is bad. 3. Insert the ticket into the ticket channel and press the forward key to complete manual ticket loading.
No long press on the forward or reverse key	Due to the program is equipped with a protection function, if long press the forward or reverse key for more than 7 seconds, the protection function activates and the motor stops rotating. But it will returns to normal after releasing the key.
Dispensing tickets delay	After adding ticket, if there is still points left on the machine, the ticket will outlet after waiting a few seconds. This design is to facilitate the placement of tickets and close the hatch by staff.
Noise	There is a slight noise occasionally during the operation of the mechanical structure and the noise will down when dispensing ticket. This phenomenon is normal.